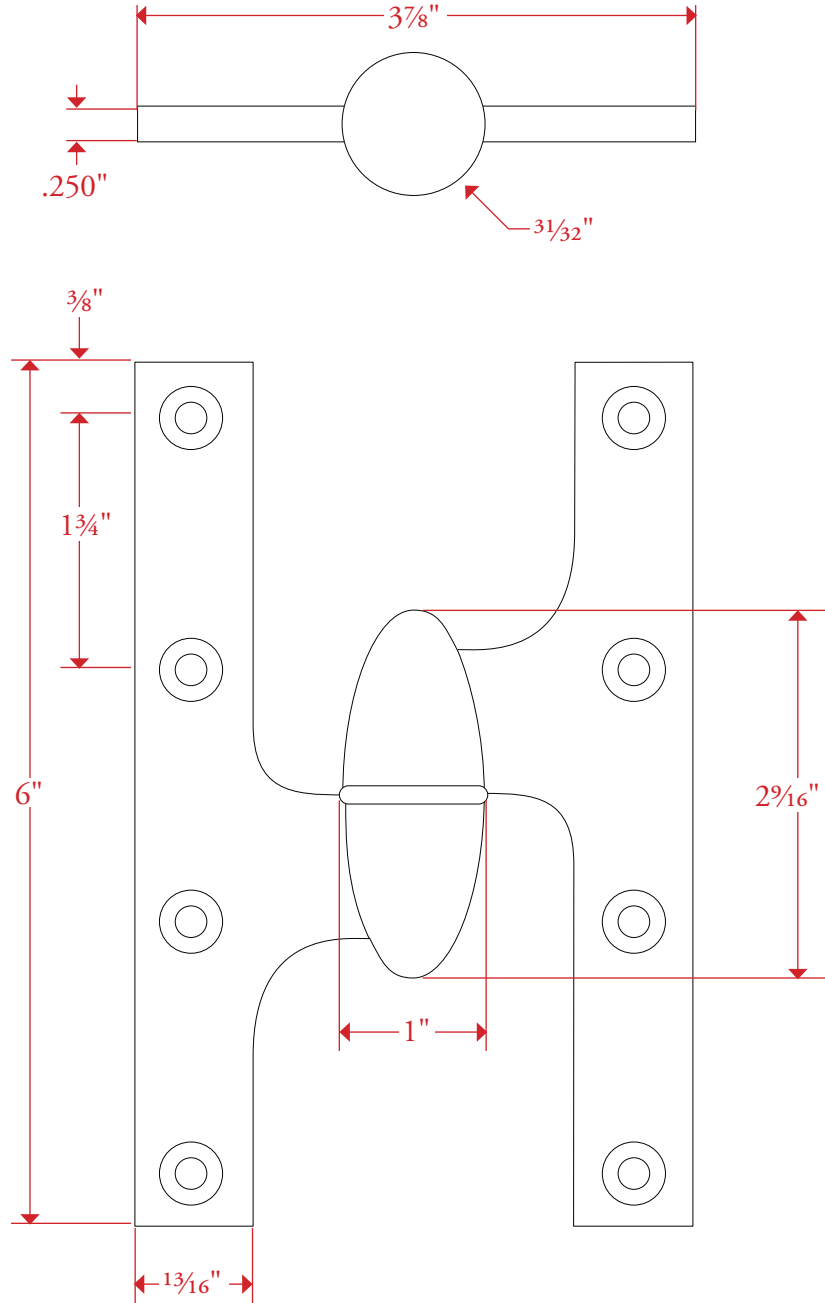


6" x 3 7/8" OLIVE KNUCKLE HINGE



All measurements are in inches unless otherwise noted. Drawing shown at 3/4 scale. Template is for reference only, not mortising purposes. All field cutting and fitting should be done with physical hardware.  
Left hand hinge shown; please specify hand when ordering.