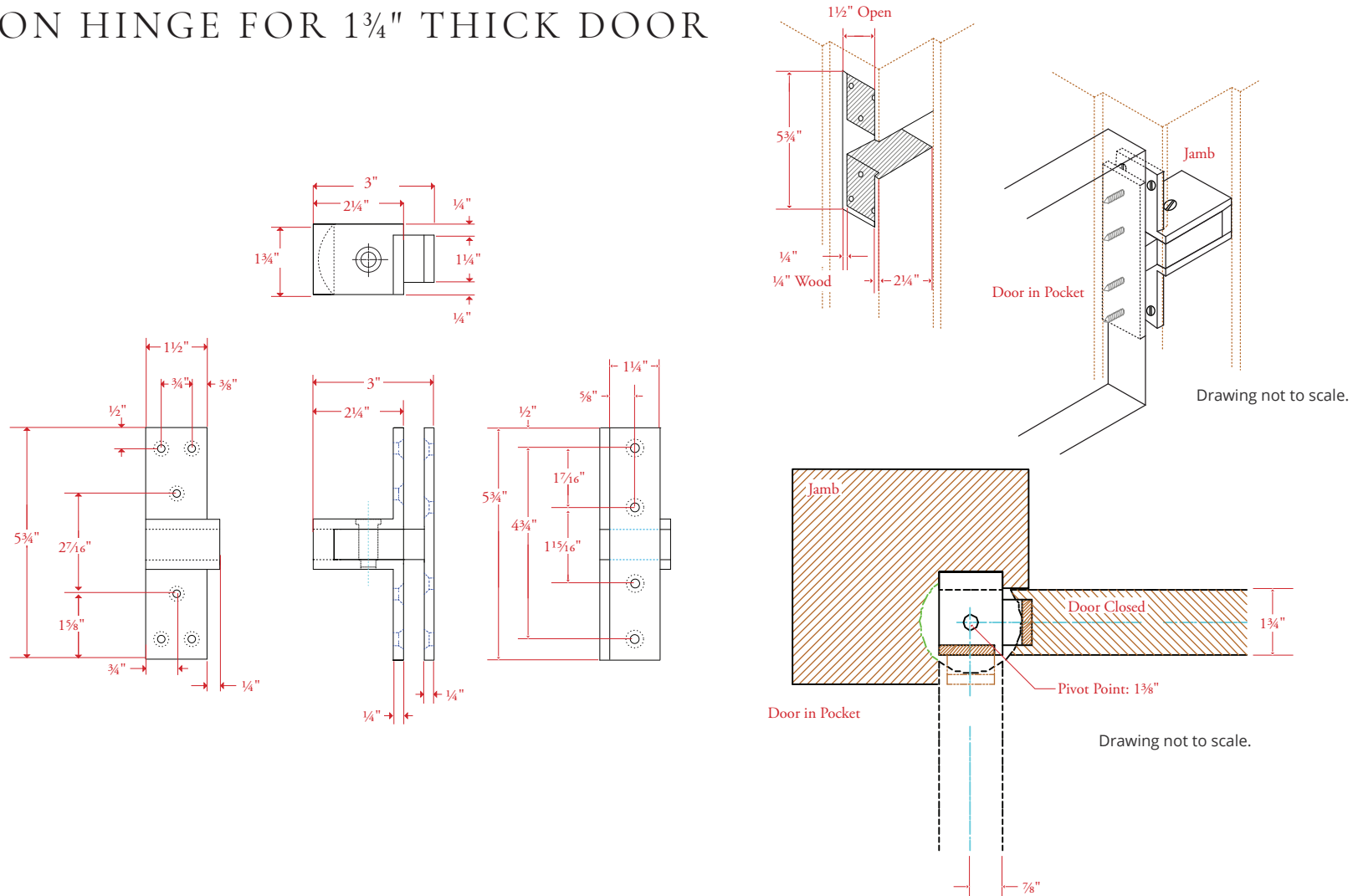


## HARMON HINGE FOR 1 3/4" THICK DOOR



All measurements are in inches unless otherwise noted. Drawing shown at 1/4 scale. Please do not scale drawing. Template is for reference only, not mortising purposes.  
 All field cutting and fitting should be done with physical hardware. All harmon hinges are supplied with a positive stop.  
 This hinge is handed; please specify right or left hand when ordering.