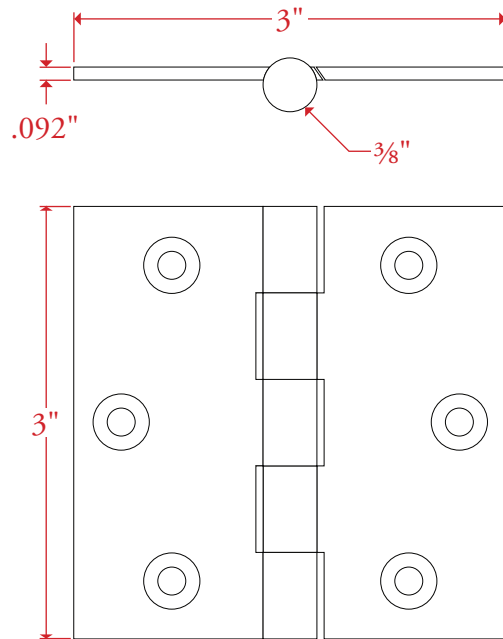


3" x 3" BUTT HINGE



All measurements are in inches unless otherwise noted. Drawing shown at $\frac{3}{4}$ to scale. Please do not scale drawing. Template is for reference only, not mortising purposes. All field cutting and fitting should be done with physical hardware.