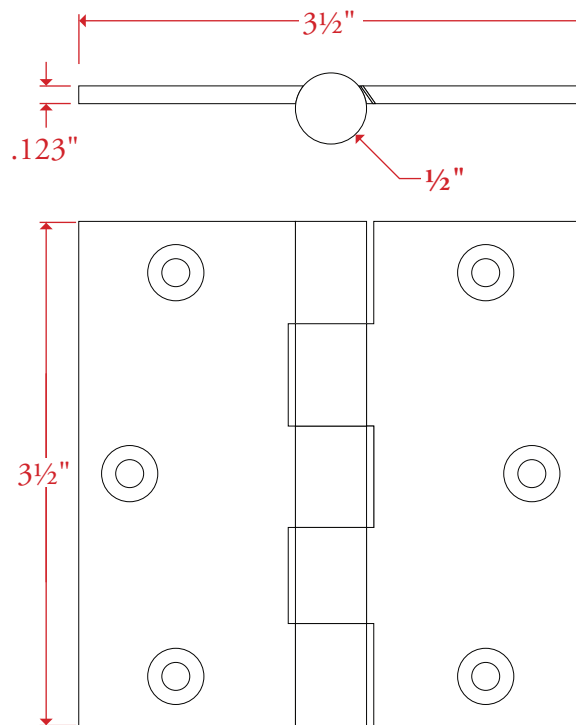


3½" × 3½" BUTT HINGE



All measurements are in inches unless otherwise noted. Drawing shown at ¾ to scale. Please do not scale drawing. Template is for reference only, not mortising purposes. All field cutting and fitting should be done with physical hardware.