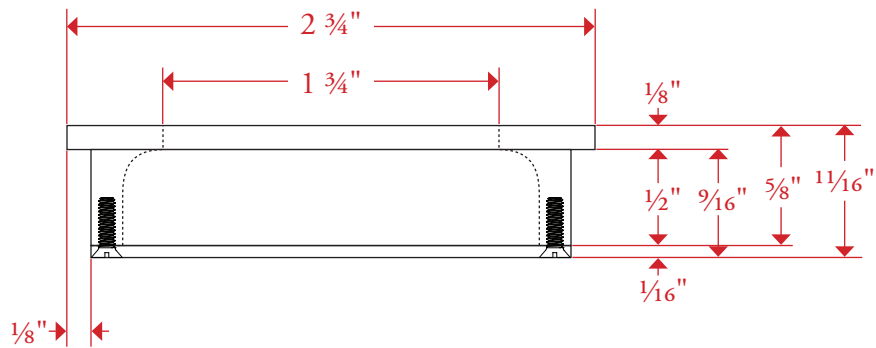
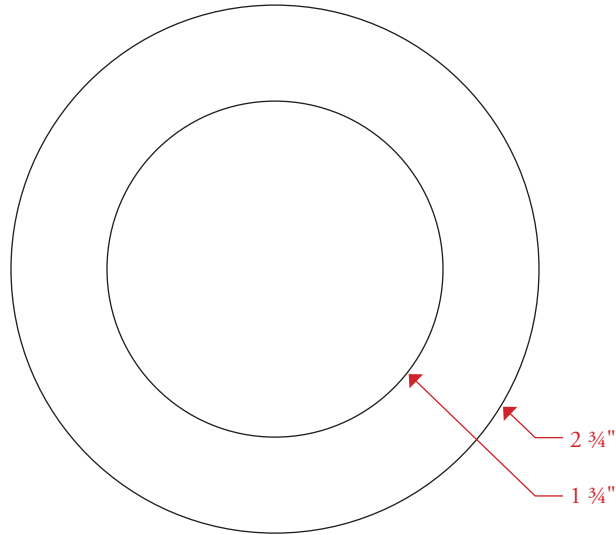


MODERN ROUND RECESSED PULL

N° 79530 - 2 3/4" Diameter



All measurements are in inches unless otherwise noted. Drawing shown at full scale. Please do not scale drawing. Template is for reference only, not mortising purposes. All field cutting and fitting should be done with physical items.