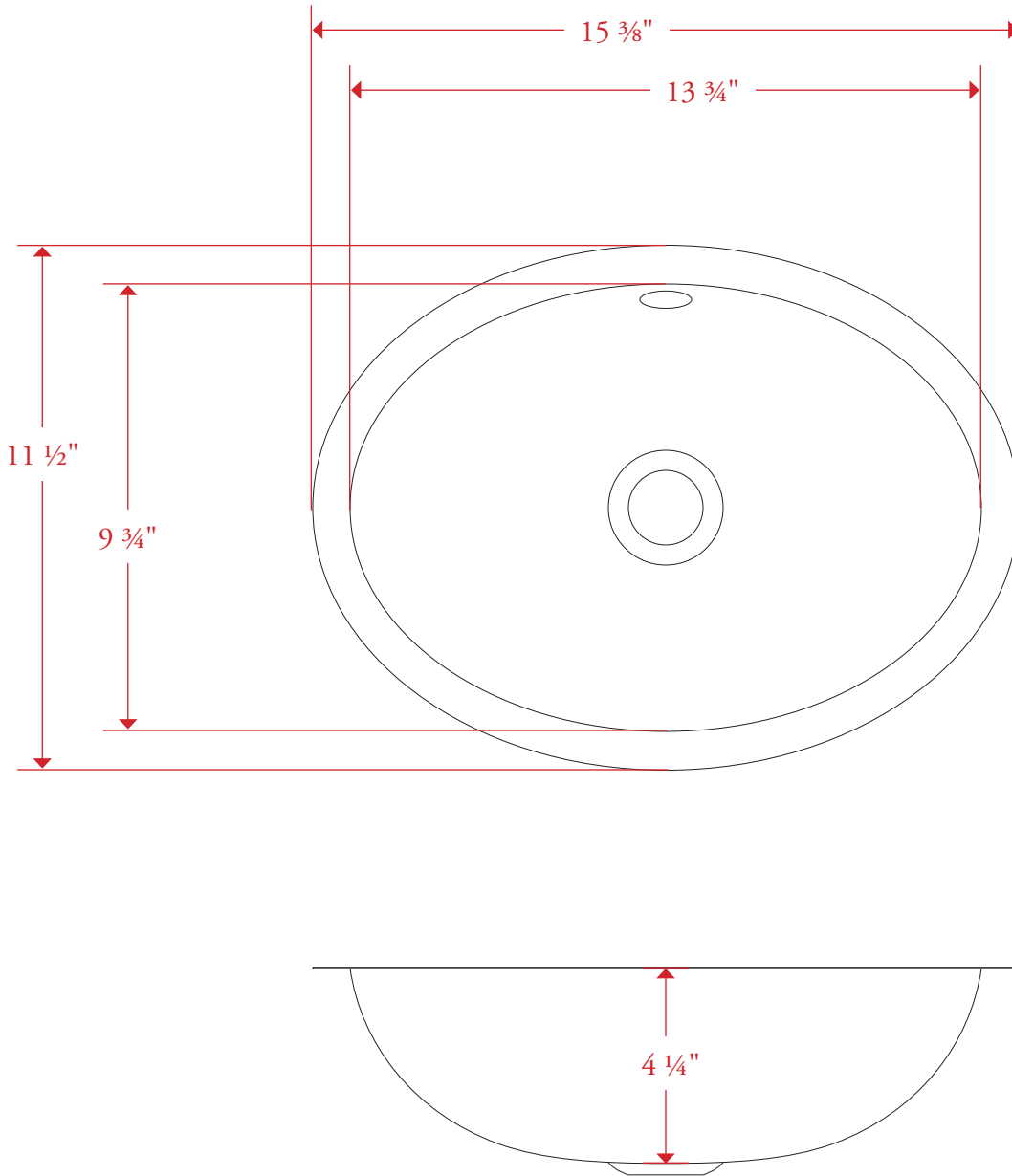


## OVAL BRASS BOWL

N° 76060 - 13  $\frac{3}{4}$ " x 9  $\frac{3}{4}$ " Interior Dimension, 4  $\frac{1}{4}$ " Deep



All measurements are in inches unless otherwise noted. Drawing shown at  $\frac{1}{4}$  scale. Please do not scale drawing.  
Template is for reference only, not mortising purposes. All field cutting and fitting should be done with physical items.  
Bowls are undermount, have an overflow, and fit a 1  $\frac{1}{4}$ " drain (not included with bowl; included with purchase of basin set).