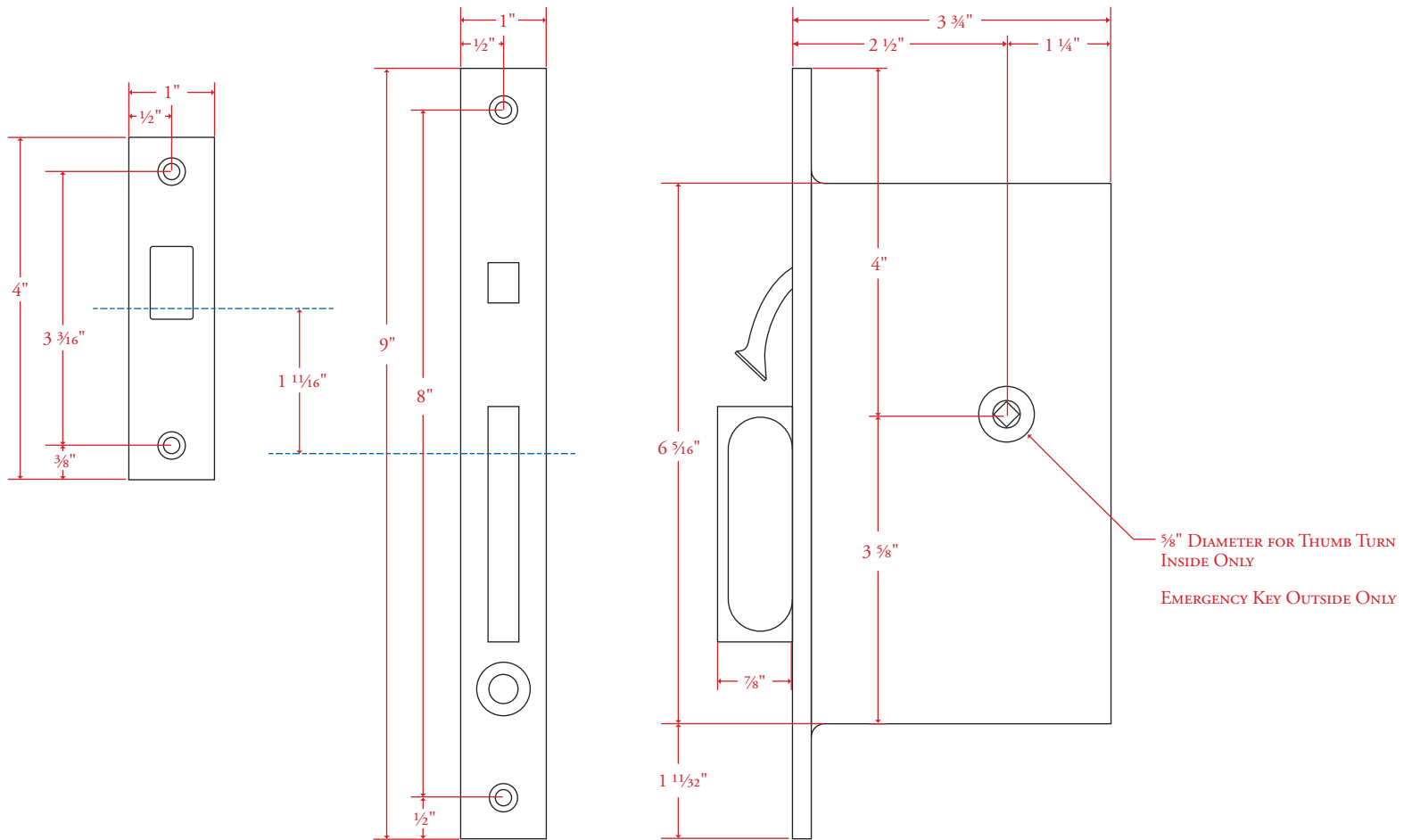


POCKET DOOR LOCK WITH INTEGRAL EDGE PULL  
N° 74671 with 2 ½" Backset for Single Door



Drawing shown at 1/2 scale. Please do not scale drawing. Template is for reference only, not mortising purposes.  
All field cutting and fitting should be done with physical hardware.