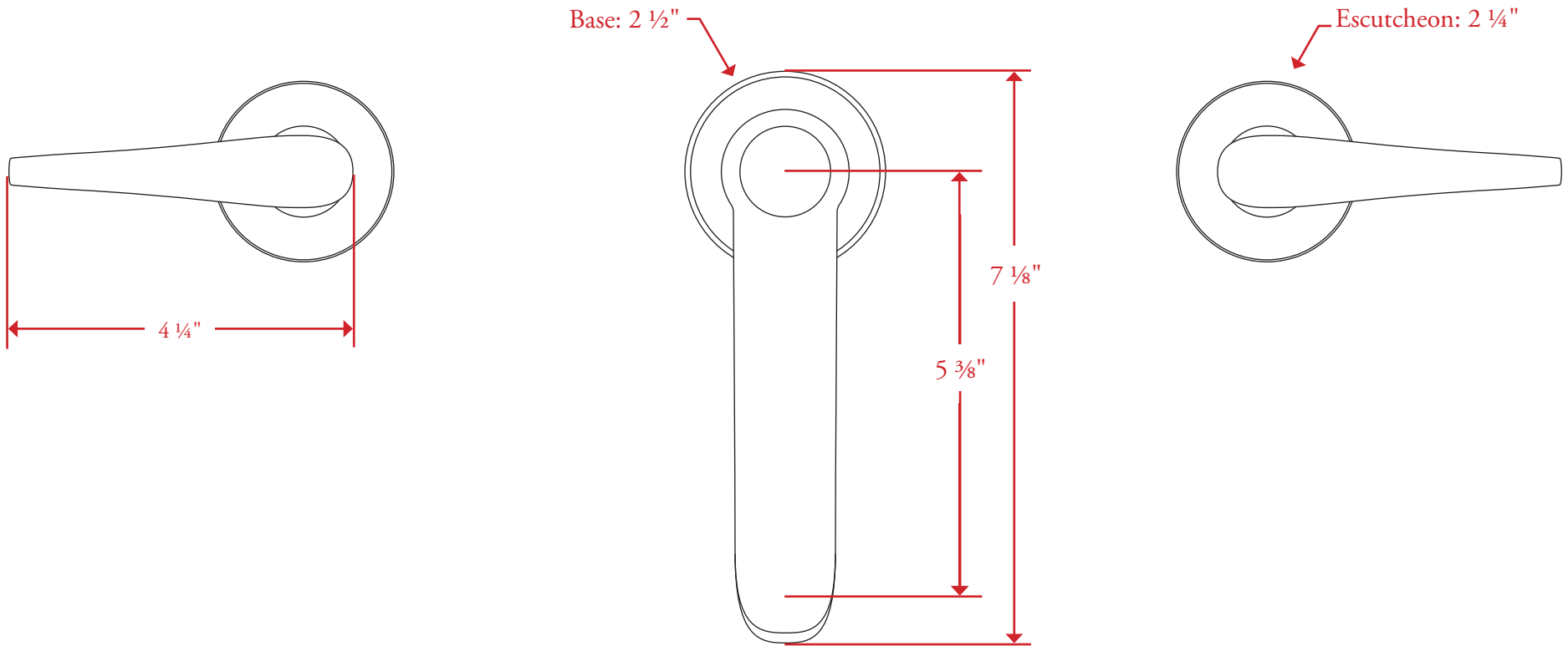


160TH ANNIVERSARY BASIN SET

N° 18701 with Levers



Shown 12" on centers. All measurements are in inches unless otherwise noted. Drawing shown at half scale. Do not scale drawing. Template is for reference only, not mortising purposes. All field cutting and fitting should be done with physical hardware. Some spout designs require additional mounting space. Please verify clearance.