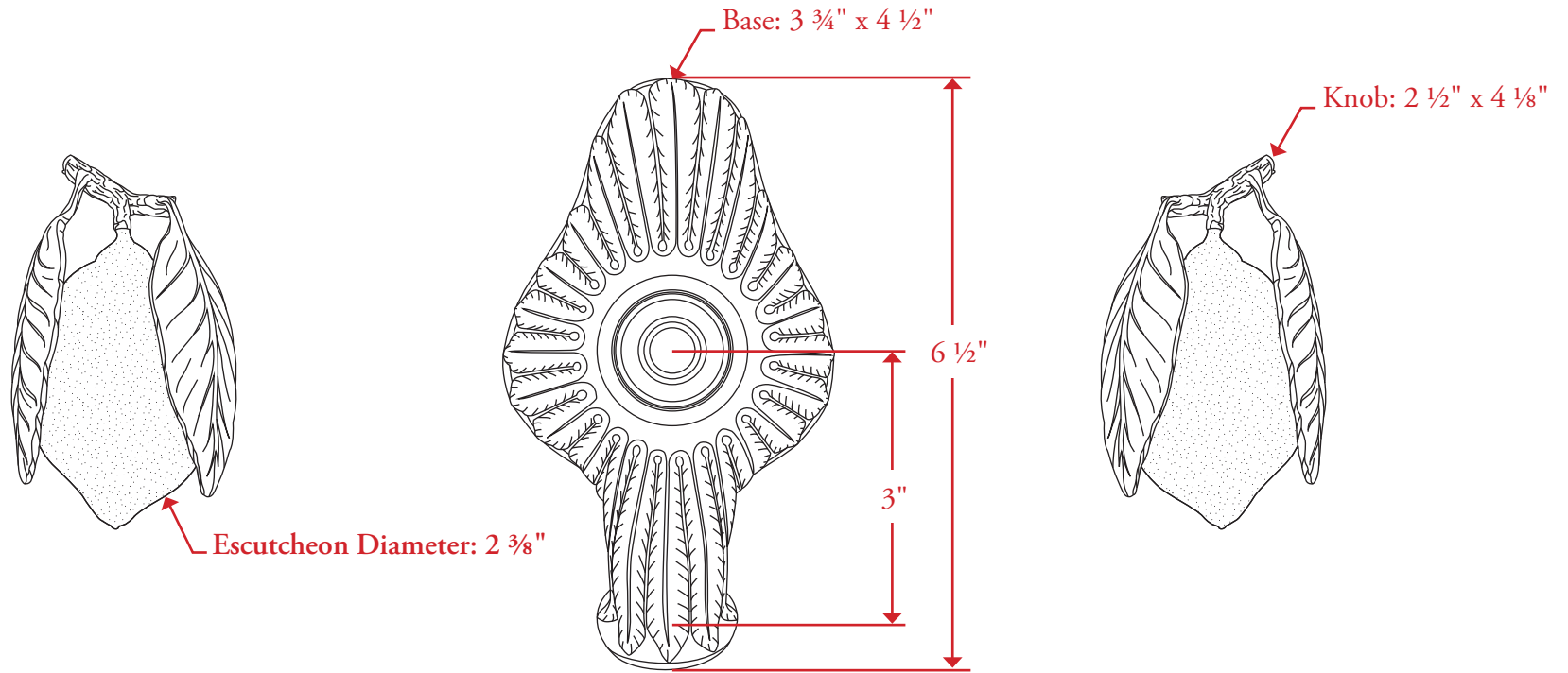


LEMON BASIN SET

N° 18200 with Handles



All measurements are in inches unless otherwise noted. Drawing shown at $\frac{1}{2}$ scale. Please do not scale drawing. Template is for reference only, not mortising purposes. All field cutting and fitting should be done with physical hardware. Drilling Instructions: Hole sizes to be $1 \frac{1}{8}''$ minimum for installation of valves and spout.