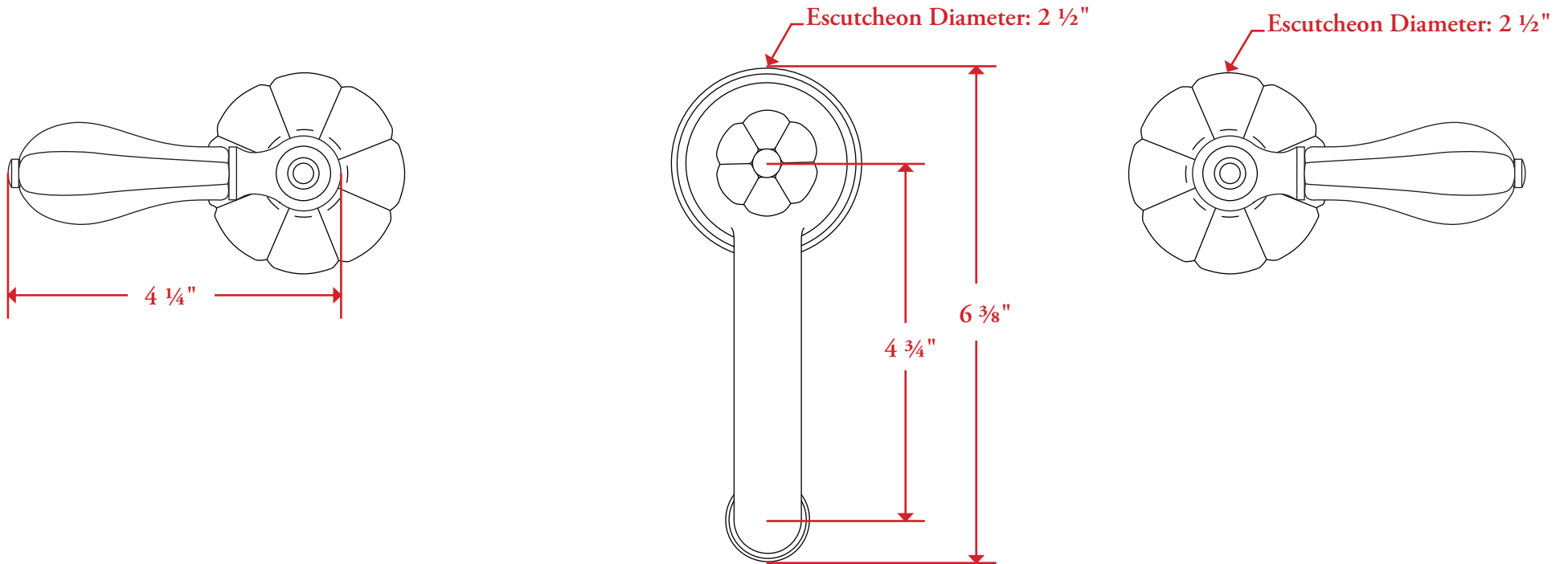


## PROVENCE BASIN SET

N° 13601 with Levers



All measurements are in inches unless otherwise noted. Drawing shown at  $\frac{1}{2}$  scale. Please do not scale drawing. Template is for reference only, not mortising purposes.

All field cutting and fitting should be done with physical hardware. All matching bathroom accessories are available.

Drilling Instructions: Hole sizes to be  $1 \frac{1}{8}''$  minimum for installation of valves and spout.