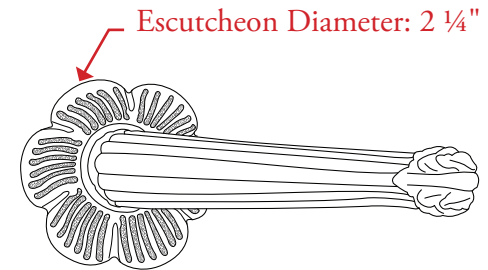
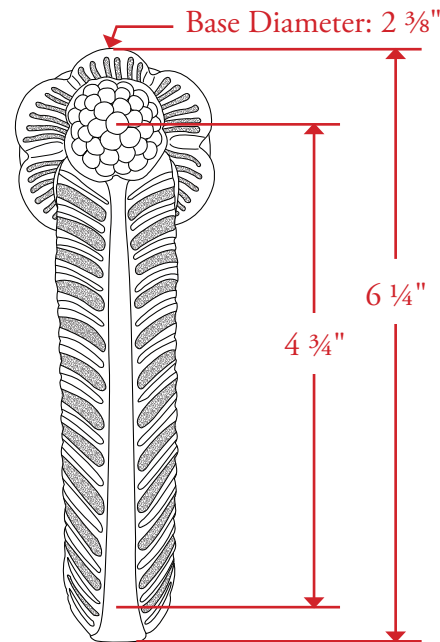
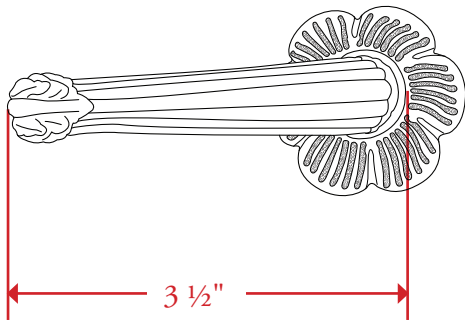


LOTUS BASIN SET

N° 12201 with Levers



All measurements are in inches unless otherwise noted. Drawing shown at 1/2 scale. Please do not scale drawing. Template is for reference only, not mortising purposes. All field cutting and fitting should be done with physical hardware. The Lotus Basin Set is made to order and is available as a complete collection. All matching bathroom accessories are available. Some spout designs require additional mounting space. Please verify clearance at basin or tub.