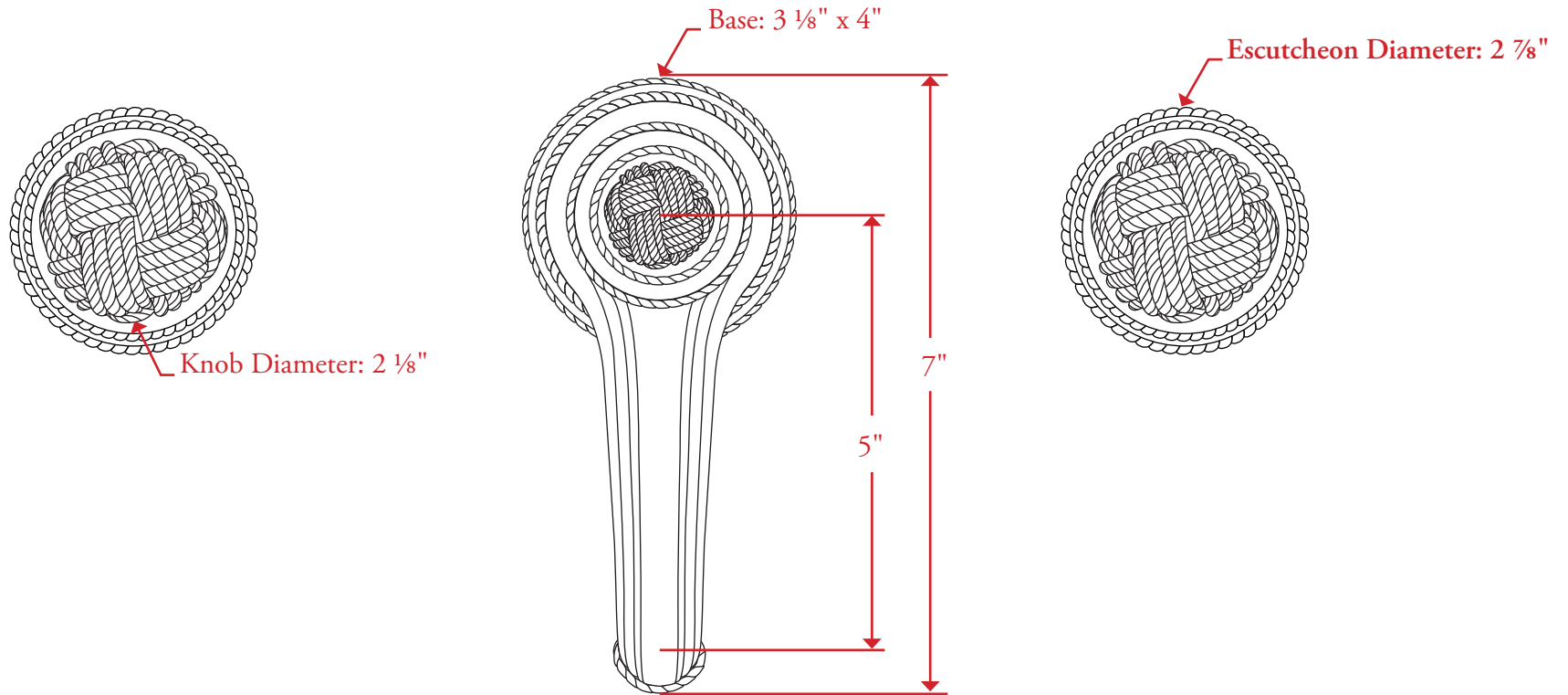


KNOT BASIN SET

N° 10400 with Handles



All measurements are in inches unless otherwise noted. Drawing shown at 1/2 scale. Please do not scale drawing. Template is for reference only, not mortising purposes. All field cutting and fitting should be done with physical hardware. Drilling Instructions: Hole sizes to be 1 1/8" minimum for installation of valves and spout.