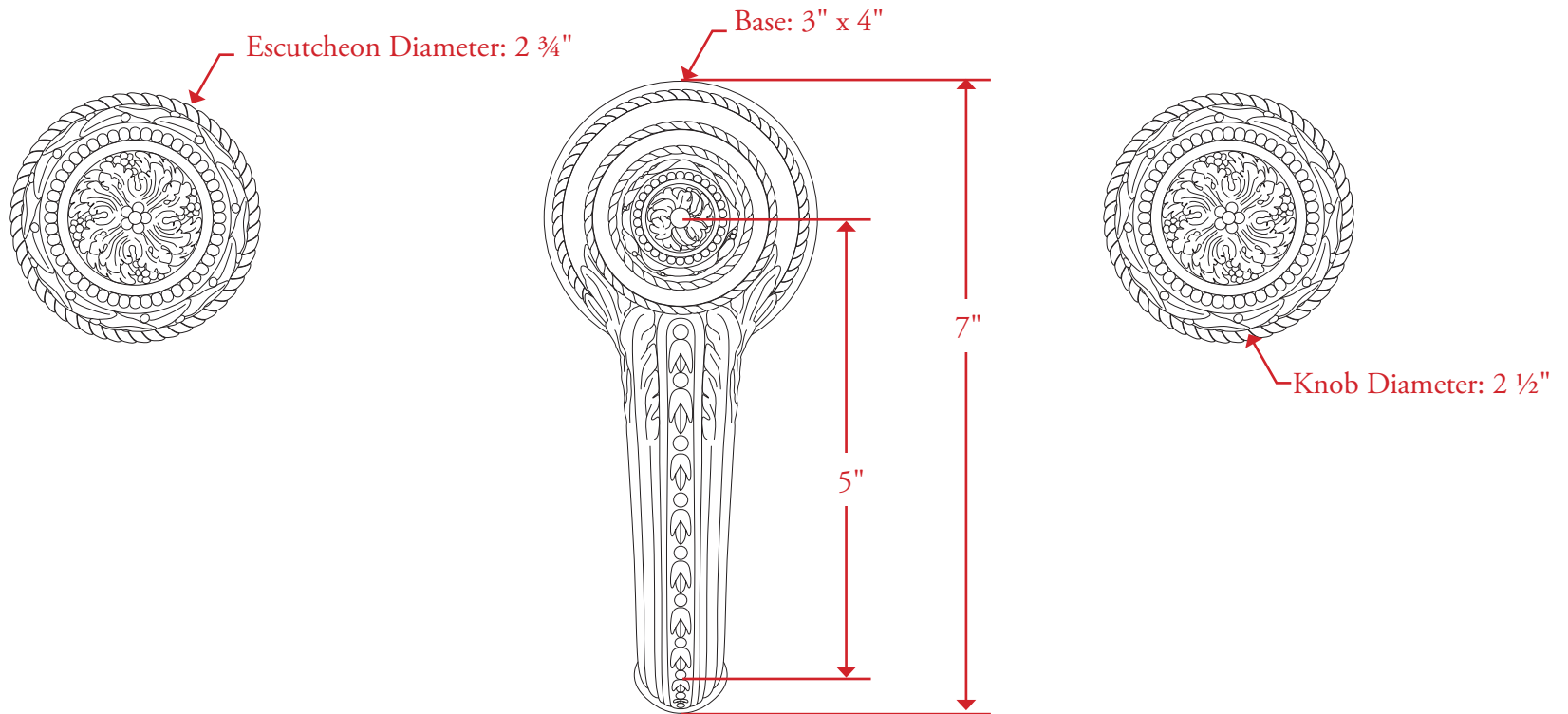


150TH ANNIVERSARY BASIN SET

N° 00150 with Knobs - N° 00151 with Levers (Shown with Ivory Inserts)



All measurements are in inches unless otherwise noted. Drawing shown at 1/2 scale. Please do not scale drawing. Template is for reference only, not mortising purposes. All field cutting and fitting should be done with physical hardware. Ivory handles are carved by hand and may vary. Other lever inserts are available in a variety of materials such as all metal, rock crystal, malachite, etc. All matching accessories are available. Some spout designs require additional mounting space. Please verify clearance.