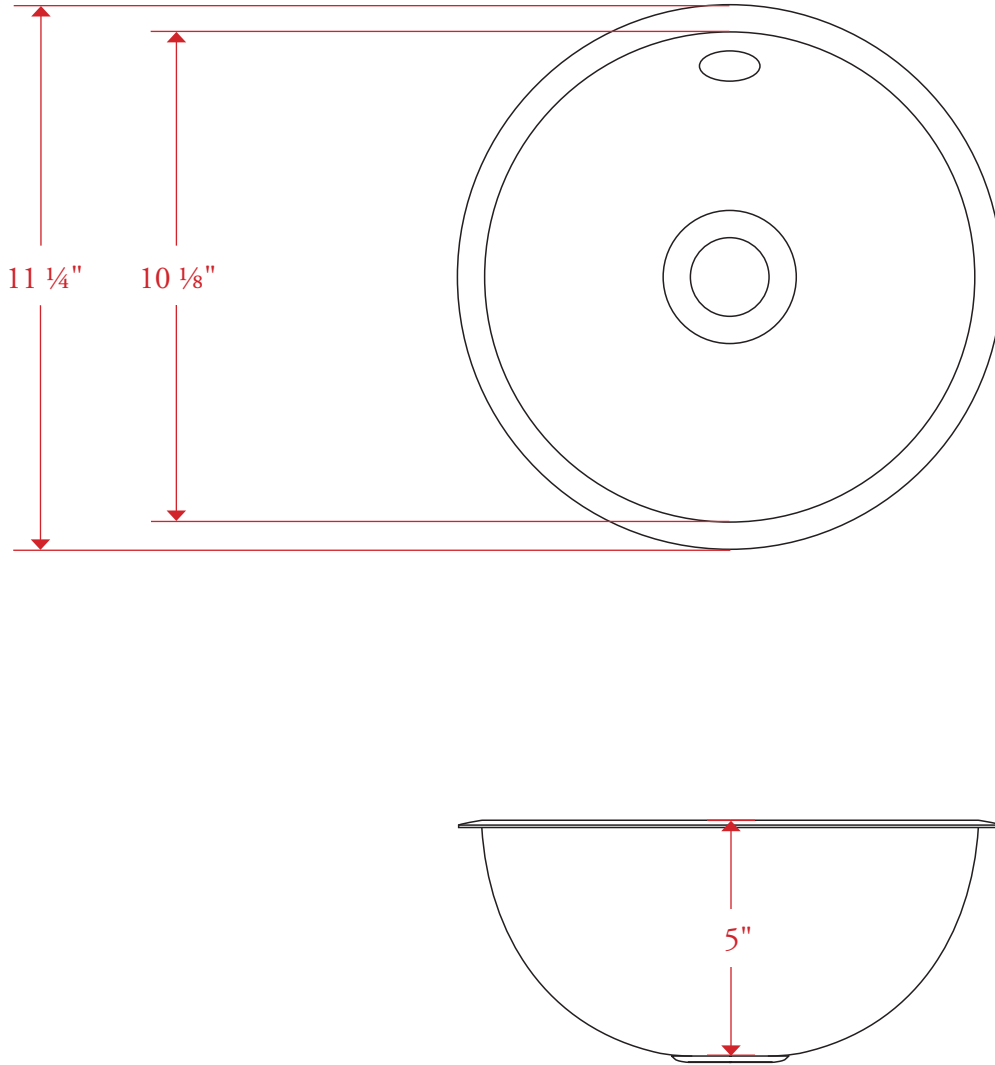


ROUND COPPER BOWL

76150 - 10 1/8" Interior Dimension, 5" Deep



All measurements are in inches unless otherwise noted. Drawing shown at 1/4 scale. Please do not scale drawing. Template is for reference only, not mortising purposes. All field cutting and fitting should be done with physical items. Bowls are undermount and fit a 1 1/4" drain (not included with bowl; included with purchase of basin set). Available with or without overflow; please specify when ordering.